

Swivel Clamp Linear Actuator Connectors

Aluminum

SPECIFICATION

Types

- Type **OZ**: Without centering step (smooth)
- Type **MZ**: With centering step
- Type **AV**: With external serration
- Type **IV**: With internal serration

Identification no.

No. **2**: With stainless steel socket cap screw DIN 912

Aluminum

Powder coated

Black, RAL 9005, textured finish **SW**

Sleeve bearing

Plastic (PTFE)

Socket cap screws DIN 912

Stainless steel AISI 304

Hex nuts DIN 985

Stainless steel AISI 304

Self-locking via polyamide ring



INFORMATION

Swivel clamp linear actuator connectors GN 278.1 are based on swivel clamp connectors. The additionally provided mounting holes are used to connect to the drive key of a linear actuator. Bores with the designation **G** are equipped with sleeve bearings.

With the screw location **z**, the play of the guide bore d_1 can be adjusted or the linear actuator connectors can be clamped after adjustment.

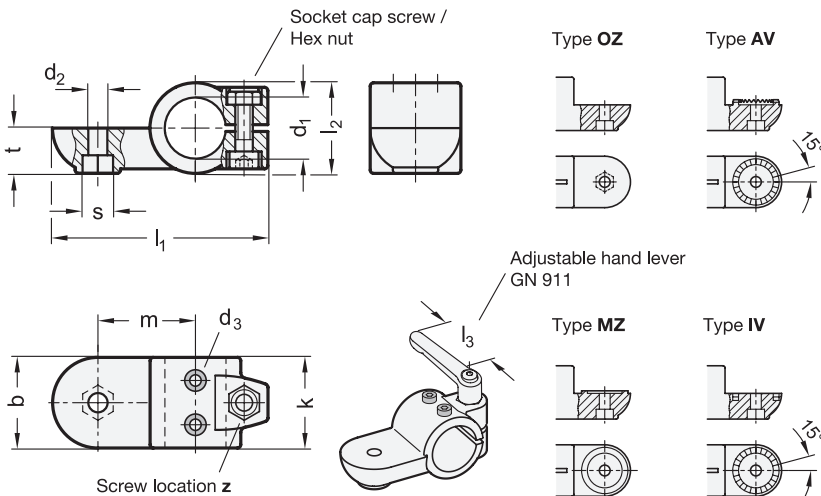
For quick clamping without tools, the socket cap screw can be replaced by the adjustable hand lever GN 911 (see page 1874) listed in the table as accessory.

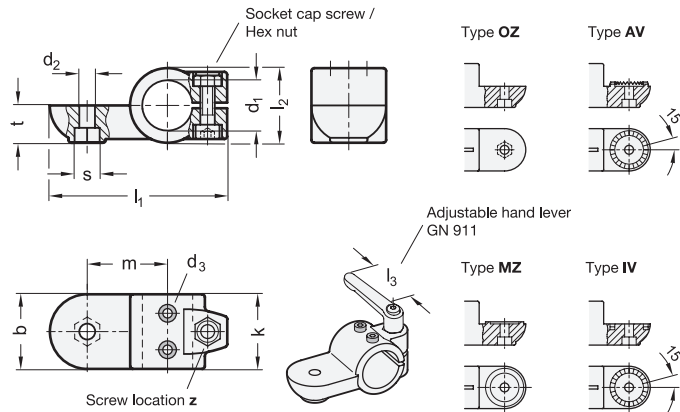
ACCESSORY

- Adjustable Hand Levers GN 911 (see page 1874)

TECHNICAL INFORMATION

- Plastic Characteristics (see page A2)
- Stainless Steel Characteristics (see page A26)





GN 278.1-OZ

Description	d1 Bore without sleeve bearing	d1 Bore with sleeve bearing	b	d2	d3 Mounting screws on the drive key	k Clamping length	l1	l2	m	s	t	z Screw location	Accessory Recom. hand lever GN 911 for z l3	⚖️
GN 278.1-B30-OZ-2-SW	B 30	-	40	8.5	M 4	40	95	40	43	13	20	M8-25	63 78	145
GN 278.1-G30-OZ-2-SW	-	G 30	40	8.5	M 4	40	95	40	43	13	20	M8-25	63 78	145
GN 278.1-B40-OZ-2-SW	B 40	-	65	10.5	M 5	65	148	65	70	17	32.5	M10-50	92	706
GN 278.1-G40-OZ-2-SW	-	G 40	65	10.5	M 5	65	148	65	70	17	32.5	M10-50	92	706
GN 278.1-B50-OZ-2-SW	B 50	-	65	10.5	M 6	65	148	65	70	17	32.5	M10-50	78 92	585
GN 278.1-G50-OZ-2-SW	-	G 50	65	10.5	M 6	65	148	65	70	17	32.5	M10-50	78 92	585

GN 278.1-MZ

Description	d1 Bore without sleeve bearing	d1 Bore with sleeve bearing	b	d2	d3 Mounting screws on the drive key	k Clamping length	l1	l2	m	s	t	z Screw location	Accessory Recom. hand lever GN 911 for z l3	⚖️
GN 278.1-B30-MZ-2-SW	B 30	-	40	8.5	M 4	40	95	40	43	13	20	M8-25	63 78	146
GN 278.1-G30-MZ-2-SW	-	G 30	40	8.5	M 4	40	95	40	43	13	20	M8-25	63 78	146
GN 278.1-B40-MZ-2-SW	B 40	-	65	10.5	M 5	65	148	65	70	17	32.5	M10-50	92	696
GN 278.1-G40-MZ-2-SW	-	G 40	65	10.5	M 5	65	148	65	70	17	32.5	M10-50	92	696
GN 278.1-B50-MZ-2-SW	B 50	-	65	10.5	M 6	65	148	65	70	17	32.5	M10-50	78 92	577
GN 278.1-G50-MZ-2-SW	-	G 50	65	10.5	M 6	65	148	65	70	17	32.5	M10-50	78 92	577

GN 278.1-AV

Description	d1 Bore without sleeve bearing	d1 Bore with sleeve bearing	b	d2	d3 Mounting screws on the drive key	k Clamping length	l1	l2	m	s	t	z Screw location	Accessory Recom. hand lever GN 911 for z l3	⚖️
GN 278.1-B30-AV-2-SW	B 30	-	40	8.5	M 4	40	95	40	43	13	20	M8-25	63 78	149
GN 278.1-G30-AV-2-SW	-	G 30	40	8.5	M 4	40	95	40	43	13	20	M8-25	63 78	149
GN 278.1-B40-AV-2-SW	B 40	-	65	10.5	M 5	65	148	65	70	17	32.5	M10-50	92	688
GN 278.1-G40-AV-2-SW	-	G 40	65	10.5	M 5	65	148	65	70	17	32.5	M10-50	92	688
GN 278.1-B50-AV-2-SW	B 50	-	65	10.5	M 6	65	148	65	70	17	32.5	M10-50	78 92	579
GN 278.1-G50-AV-2-SW	-	G 50	65	10.5	M 6	65	148	65	70	17	32.5	M10-50	78 92	579

GN 278.1-IV

Description	d1 Bore without sleeve bearing	d1 Bore with sleeve bearing	b	d2	d3 Mounting screws on the drive key	k Clamping length	l1	l2	m	s	t	z Screw location	Accessory Recom. hand lever GN 911 for z l3	⚖️
GN 278.1-B30-IV-2-SW	B 30	-	40	8.5	M 4	40	95	40	43	13	20	M8-25	63 78	141
GN 278.1-G30-IV-2-SW	-	G 30	40	8.5	M 4	40	95	40	43	13	20	M8-25	63 78	141
GN 278.1-B40-IV-2-SW	B 40	-	65	10.5	M 5	65	148	65	70	17	32.5	M10-50	92	683
GN 278.1-G40-IV-2-SW	-	G 40	65	10.5	M 5	65	148	65	70	17	32.5	M10-50	92	683
GN 278.1-B50-IV-2-SW	B 50	-	65	10.5	M 6	65	148	65	70	17	32.5	M10-50	78 92	563
GN 278.1-G50-IV-2-SW	-	G 50	65	10.5	M 6	65	148	65	70	17	32.5	M10-50	78 92	563

